

Weldability[®]

sif

GOUGING TORCHES

**K3 / K5
K4000
FLAIR 2**

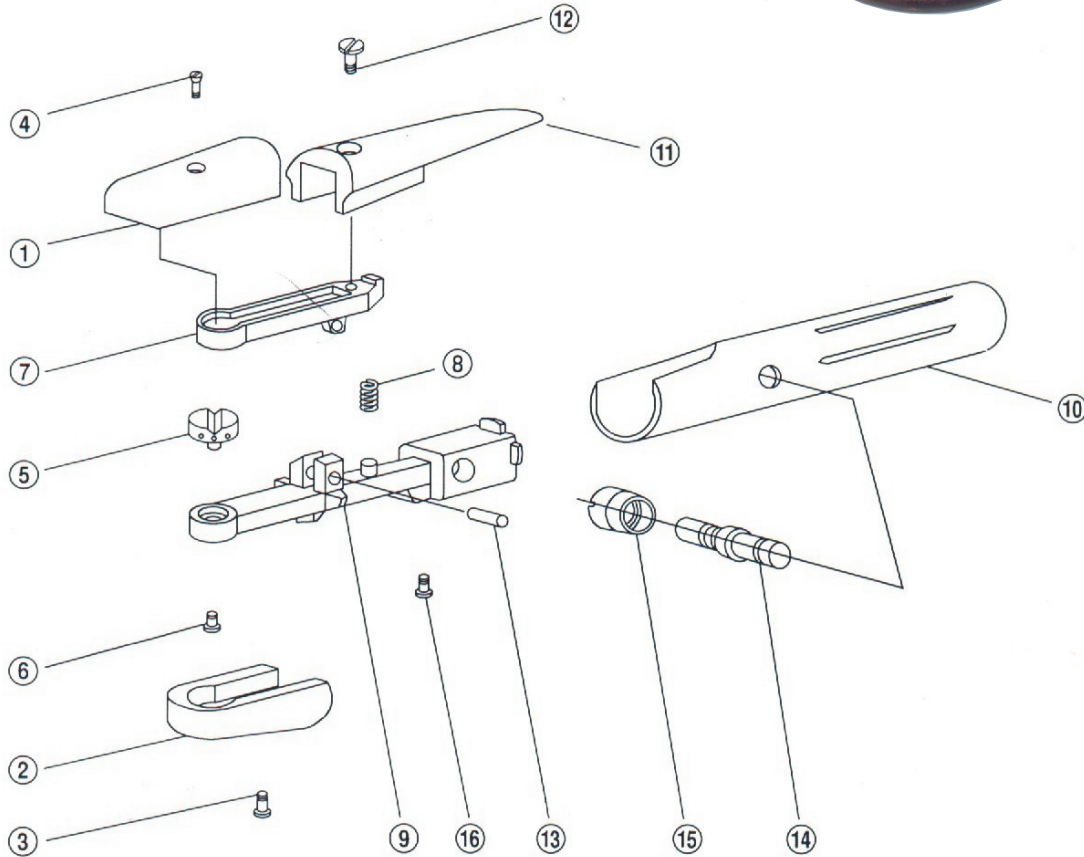
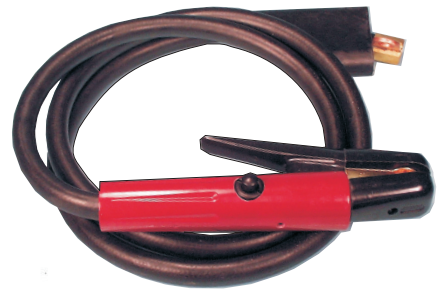
**THE COMPLETE GUIDE AND
SPARE PART PRODUCT LISTING**

Weldability[®] **sif**

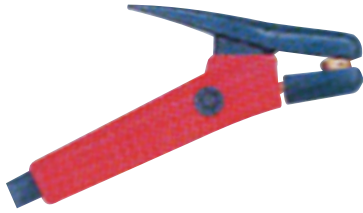
PHONE : (+44) 0845 130 7757 FAX : (+44) 01462 482202
Email: info@wholeweld.co.uk Website: www.wholeweld.co.uk

Gouging Torch: K3 / K5

ELCK3 K3 Type Gouging Torch c/w Monocable
 ELCK5 K5 Type Gouging Torch c/w Monocable

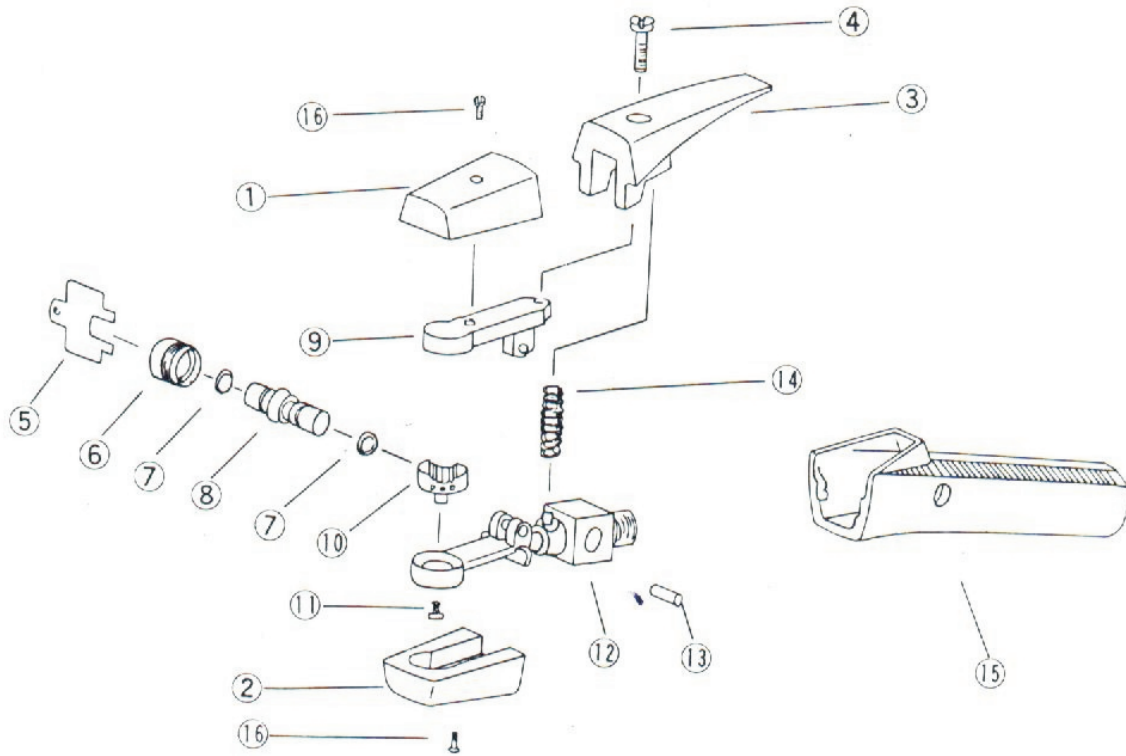


Ref. No.	Description	Part No.	Ref. No.	Description	Part No.
1	Upper Insulator Assy.	ELC231301	11	Lever Assy. (with screws)	ELC231311
2	Lower Insulator Assy.	ELC231301	12	Screw (for levers)	ELC231312
3	Screw (1pr)	ELC231303	13	Dowel Pin	ELC231313
4	Screw (1pr)	ELC231303	14	Spool Assy.	ELC231314
5	Head Assy. / Injecting Nozzle	ELC231305	15	Bonnet	ELC231315
6	Head Screw	ELC231306	16	Screw (for body)	ELC231316
7	Upper Arm	ELC231307	17	Sleeve	ELC231317
8	Spring	ELC231308	18	7' Swivel Cable Assy. for K3	ELC231318
9	Brass Body Lower Jaw	ELC231309	19	7' Swivel Cable Assy. for K5	ELC231319
10	Handle	ELC231310			

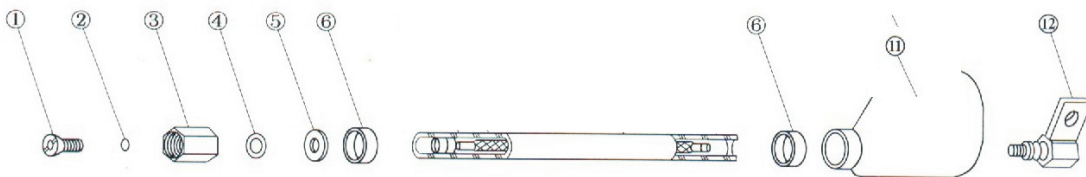


Gouging Torch: K4000

ELCK4 K4000 Type Gouging Torch c/w Monocable

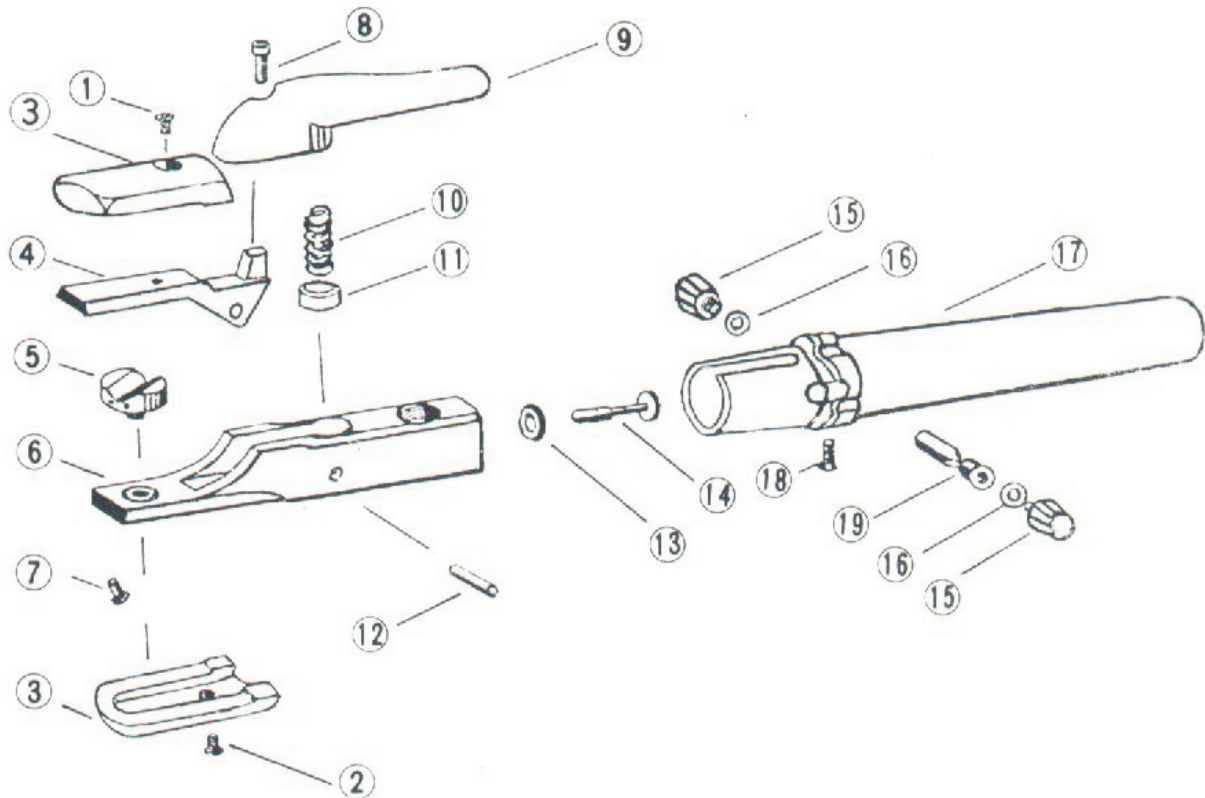


Ref. No.	Description	Part No.	Ref. No.	Description	Part No.
1	Upper Insulator Assy.	ELC234001	11	Screw (for nozzles)	ELC234011
2	Lower Insulator Assy.	ELC234002	12	Body	ELC234012
3	Lever Assy.	ELC231311	13	Hinge Pin	ELC234013
4	Screw (for lever)	ELC231312	14	Spring	ELC231308
5	Wrench	ELC234005	15	Handle	ELC234015
6	Bonnet	ELC231315	16	Screw (for handle)	ELC234016
7	O Rings (2 required)	ELC234007	17	Swivel Cable Assy.	ELC234017
8	Spool	ELC231314	18	Boot, insulating	ELC234018
9	Upper Arm	ELC231307	19	Female Connector Assy.	ELC234019
10	Head Assy.	ELC231305			
1	Retainer Screw	ELC231425	11	Coupling, Knurled	ELC231431
2	O Ring	ELC231426	12	Conductor	ELC231432
3	Male Connector	ELC231427	-	Coupling	ELC231433
4	Washer, Spring	ELC231428	-	Cover	ELC231434
5	Washer, Flat	ELC231429	-	Boot, insulating	ELC231435
6	Clamp (2 required)	ELC231430	-	Connector, Female	ELC231436



Gouging Torch: FLAIR 2

ELC231055 Flair 2 Type Torch (exc. Monocable)
 ELC231060 Swivel Monocable Assembly



Ref. No.	Description	Part No.	Ref. No.	Description	Part No.
1	Screws for caps (1pr)	ELC232201	11	Spring Cap	ELC232211
2	Screws for caps (1pr)	ELC232201	12	Hinge Pin	ELC232212
3	Insulating caps (1pr)	ELC232203	13	Rubber Washer	ELC232213
4	Brass Lever	ELC232204	14	Valve	ELC232214
5	Injection Nozzle	ELC232205	15	Push Button (set)	ELC232215
6	Body	ELC232206	16	Safety Ring	ELC232216
7	Screw (for injection nozzle)	ELC232207	17	Handle	ELC232217
8	Allen Screw (for lever)	ELC232208	18	Screw (for body)	ELC232218
9	Lever Insulator	ELC232209	19	Push Button Link	ELC232219
10	Spring	ELC232210			