

Extractability™

PRODUCT INFORMATION

ProtectoArm Telescopic Extraction Arm

SUMMARY

Protecto range of telescopic suction arms is available in different versions. This is the ideal extraction arm in limited space applications especially low headroom situations

TARGET APPLICATIONS

Training and education centres and bench welding extraction.



FURTHER INFORMATION

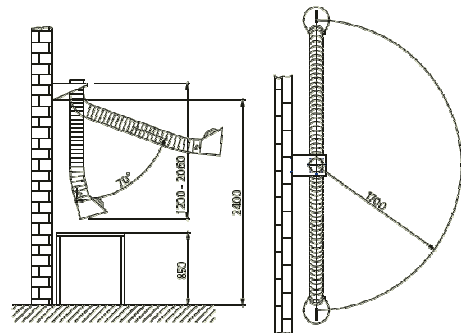
Available in 100, 150 & 200mm diameter. The telescopic extraction arm comes complete with wall mounting bracket; low wear telescopic tube and hose, suction hood with integrated damper. .

ARTICLES & ACCESSORIES

Part Number	Product Description
EXT976161002111	1.2mm - 2.06mm 100mm Diameter Telescopic Extraction Arm
EXT976162111	1.2mm - 2.06mm 150mm Diameter Telescopic Extraction Arm
EXT976162002111	1.2mm - 2.06mm 200mm Diameter Telescopic Extraction Arm

TECHNICAL SPECIFICATION

Reach	1.2mm - 2.06mm
Rotation	180°
Diameters	100mm/150mm/200mm
Mounting Height	2400mm
Working Radius	1700mm
Vertical Movement	70°



For further information, contact Extractability technical support on **0845 862 2620** or email service@extractability.eu