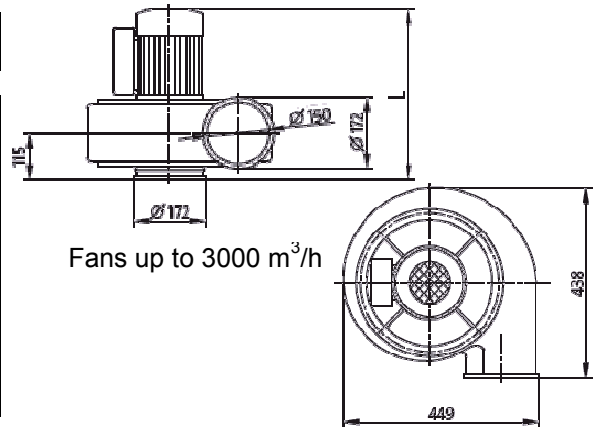


PRODUCT INFORMATION

ProtectoFan

SUMMARY

High efficiency extraction fans that are manufactured from steel plate or silumin casting, they are stable and able to be used on a continues bases. Additionally a very calm operation is made by the static and dynamic balancing. These fans are normally fitted to an extraction arm, central filter system or at the end of a main ductwork system. The fans can be used remove hazardous fumes and dust. The fans are available in different versions and performances.



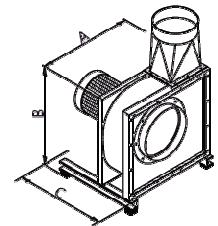
TARGET APPLICATIONS

The extraction fans are the perfect solution for general and large large fabrication and workshops where extraction for welding smoke, fumes and dust is required.

Fan made of steel sheet

Dimensions

	A	B	C
Fan 3500m³/h	615 mm	650 mm	550 mm
Fan 4000m³/h	615 mm	650 mm	550 mm
Fan 5000 m³/h	615 mm	650 mm	570 mm
Fan 6000 m³/h	740 mm	770 mm	720 mm
Fan 7500 m³/h	740 mm	770 mm	720 mm
Fan 10000 m³/h	740 mm	770 mm	720 mm



ARTICLES & ACCESSORIES

Part Number	Motor Power	Air Flow	Connection Nozzle (Dia)	Input Voltage
EXT9610123	0.75kW	2000 m3/h	160mm	230v
EXT9610223	1.10kW	2500 m3/h	160mm	230v
EXT9610323	1.50kW	3000 m3/h	160mm	230v
EXT961014	0.75kW	2000 m3/h	250mm	415v
EXT961024	1.10kW	2500 m3/h	250mm	415v
EXT961034	1.50kW	3000 m3/h	250mm	415v
EXT961044	2.20kW	3500 m3/h	250mm	415v
EXT961054	3.00kW	4000 m3/h	250mm	415v
EXT961064	4.00kW	5000 m3/h	315mm	415v
EXT961074	5.50kW	6000 m3/h	355mm	415v
EXT961084	7.5kW	7500 m3/h	400mm	415v
EXT961094	11kW	10000 m3/h	450mm	415v