

Weldability®

sif

Peters House, The Orbital Centre, Icknield Way, Letchworth Garden City, Hertfordshire. SG6 1ET. United Kingdom
UK sales tel : 0845 130 7757 | int'l tel : +44 (0) 1462 482200 | UK sales fax : 0800 970 7757 | int'l fax : +44 (0) 1462 482202
web: www.weldability-sif.com email: sales@weldability-sif.com

Only The Best From... 

STRAIGHT LINE CUTTING MACHINE

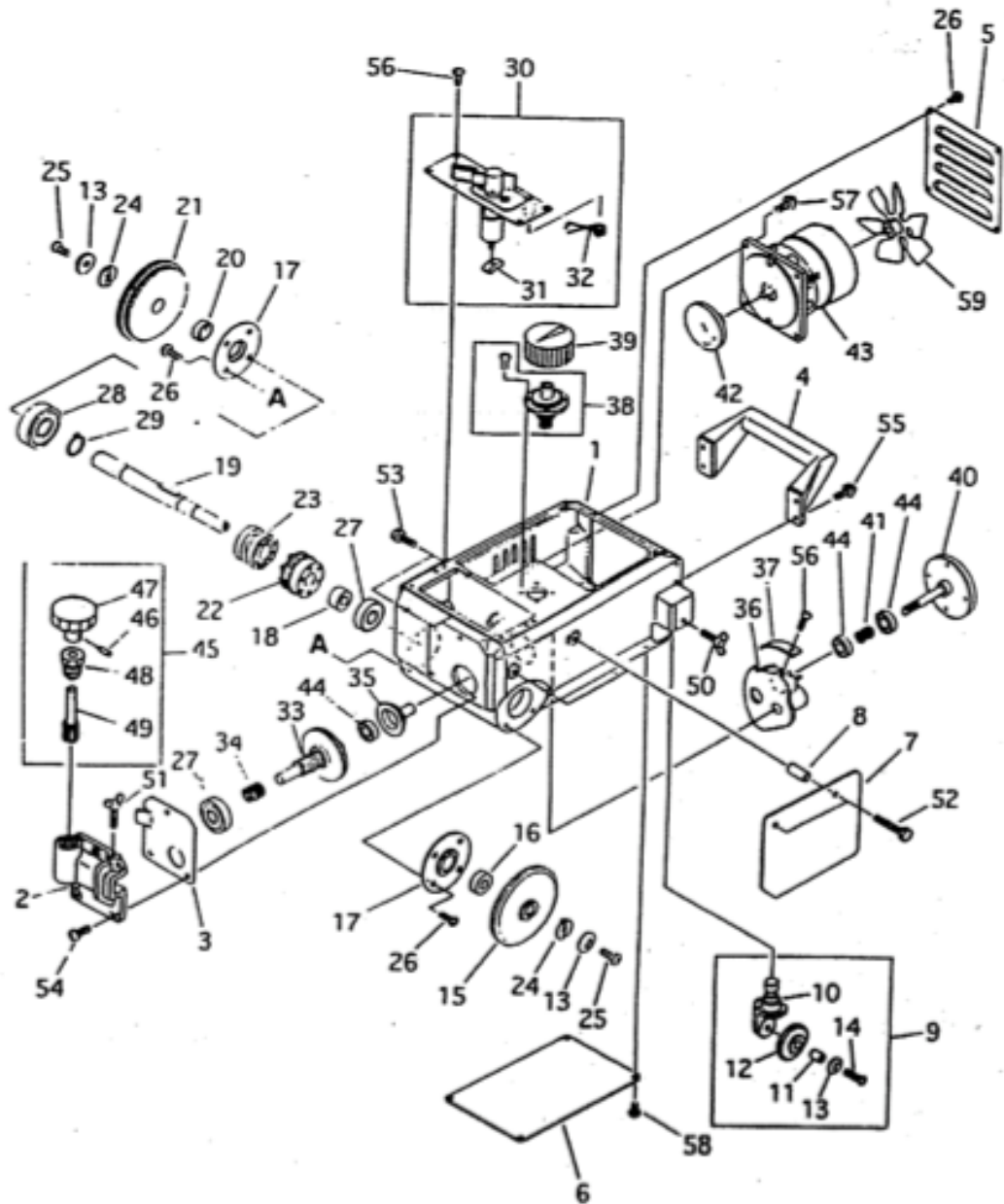
BCG30I110
BCG30I230

PARTS LIST AND SPARE PART PRODUCT LISTING



Registered in England No. 1684362
Registered Office: as above

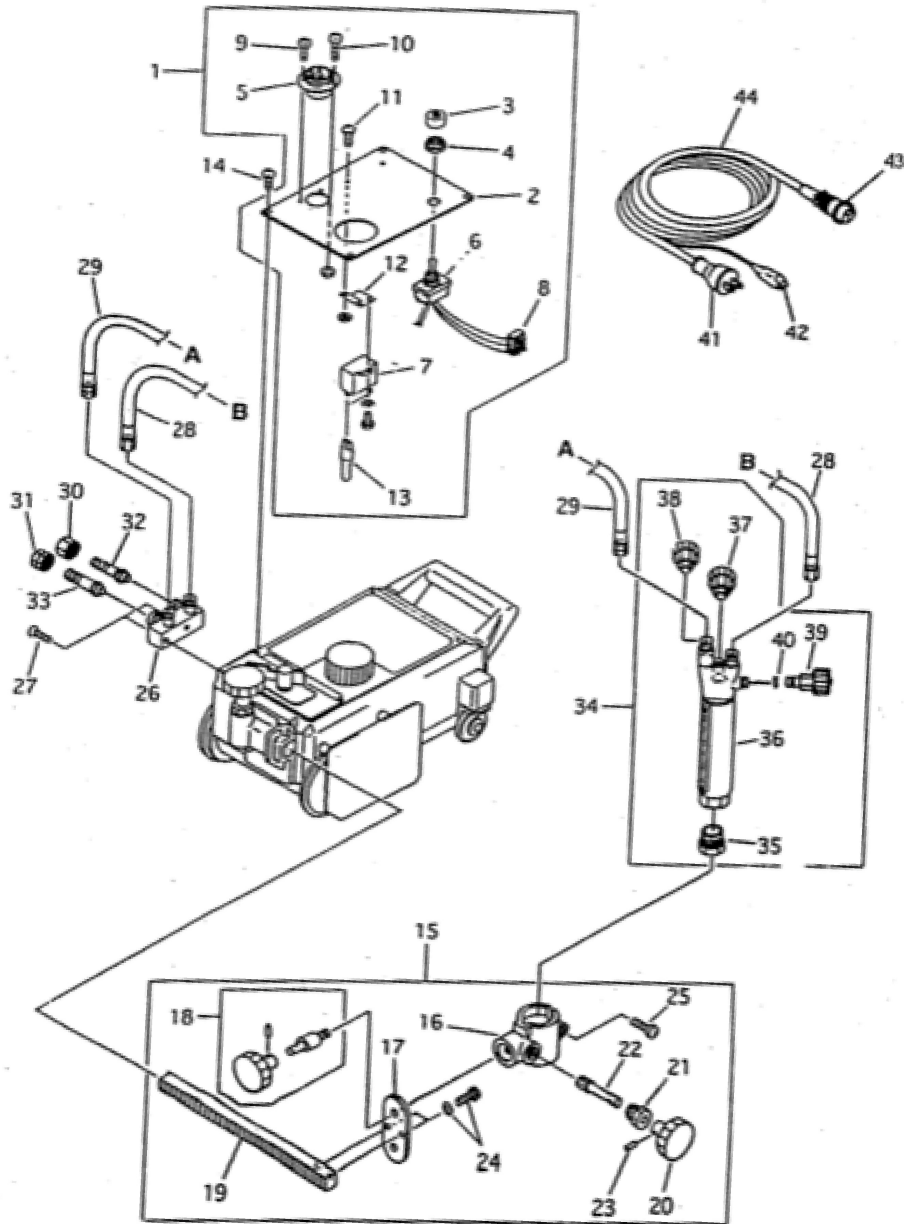
Main Unit



Ref No.	Description	Part No.	Ref No.	Description	Part No.
1	Case	BCG3011	11	Roller Shaft	BCG30111
2	Cross Feed Holder	BCG3012	12	Roller Shaft	BCG30112
3	Cross Feed Liner	BCG3013	13	Washer	BCG30113
4	Handle	BCG3014	14	Screw	BCG30114
5	Fan Cover	BCG3015	15	Idle Wheel	BCG30115
6	Bottom Plate	BCG3016	16	Collar (A)	BCG30116
7	Heat Shield	BCG3017	17	Bearing Retainer	BCG30117
8	Heat Shield Collar	BCG3018	18	Collar (B)	BCG30118
9	Idle Wheel Unit	BCG3019	19	Drive Wheel Shaft	BCG30119
10	Idle Wheel Bracket	BCG30110	20	Collar (C)	BCG30120

Ref No.	Description	Part No.	Ref No.	Description	Part No.
21	Drive Wheel	BCG30I21	41	Cone Spring	BCG30I41
22	Worm Wheel	BCG30I22	42	Motor Disk	BCG30I42
23	Clutch	BCG30I23	43	Motor 110V	BCG30I43
24	Washer	BCG30I24	43	Motor 230V	BCG30I43A
25	Screw	BCG30I25	44	Bearing	BCG30I44
26	Screw	BCG30I26	45	Cross Feed Pinion Unit	BCG30I45
27	Bearing	BCG30I27	46	Spring Pin	BCG30I46
28	Bearing	BCG30I28	47	Handle (Ø 40)	BCG30I47
29	Stop Ring	BCG30I29	48	Pinion Collar	BCG30I48
30	Clutch Lever Assembly	BCG30I30	49	Pinion	BCG30I49
31	Slider	BCG30I31	50	Wing Bolt	BCG30I50
32	Clutch Spring	BCG30I32	51	Wing Bolt	BCG30I51
33	Worm Shaft Assembly	BCG30I33	52	Hexagon Bolt	BCG30I52
34	Worm Spring	BCG30I34	53	Screw	BCG30I53
35	Speed Adjusting Shaft	BCG30I35	54	Screw	BCG30I54
36	Speed Adjusting Bracket	BCG30I36	55	Screw	BCG30I55
37	Rack for Beetle	BCG30I37	56	Screw	BCG30I56
38	Speed Adjusting Handle	BCG30I38	57	Screw	BCG30I57
39	Speed Adjusting Knob	BCG30I39	58	Screw	BCG30I58
40	Speed Adjusting Cone Assembly	BCG30I40	59	Fan Blade	BCG30I59

Electrical



Ref No.	Description	Part No.	Ref No.	Description	Part No.
1	Panel Assembly 100V – 240V	BCG301E1	7	Condenser 100V	BCG301E7
	Panel Assembly 200V – 240V	BCG301E1A		Condenser 120V	BCG301E7A
	Panel Assembly 42V	BCG301E1B		Condenser 200V – 220V	BCG301E7B
2	Panel	BCG301E2		Condenser 230V – 240V	BCG301E7C
3	Cap for Dust Protector	BCG301E3		Condenser 42V	BCG301E7D
4	Nut for Dust Protector	BCG301E4	8	Terminal 100V – 120V 3P	BCG301E8
5	Metal Socket 3P	BCG301E5		Terminal 200V – 240V 4P	BCG301E8A
	Metal Socket 4P	BCG301E5A	9	Screw	BCG301E9
6	Switch 100v – 120V	BCG301E6	10	Screw	BCG301E10
	Switch 200V – 240V 42V	BCG301E6A	11	Screw	BCG301E11

Ref No.	Description	Part No.	Ref No.	Description	Part No.
12	Condenser Fixing Plate	BCG301E12	23	Spring Pin	BCG301E23
13	Terminal	BCG301E13	24	Hexagon Bolt	BCG301E24
14	Screw	BCG301E14	25	Screw	BCG301E25
15	Torch Holder Assembly	BCG301E15	26	Distributor	BCG301E26
16	Torch Holder	BCG301E16	27	Screw	BCG301E27
17	Torch Holder Fixing Plate	BCG301E17	28	Hose for Oxygen	BCG301E28
18	Holder Fixing Plate	BCG301E18	29	Hose for Gas	BCG301E29
19	Rack Bar	BCG301E19	30	Nut for Oxygen	BCG301E30
20	Handle (Ø 40)	BCG301E20	31	Nut for Gas	BCG301E31
21	Pinion Metal	BCG301E21	32	Hose Connector (OX)	BCG301E32
22	Pinion	BCG301E22			